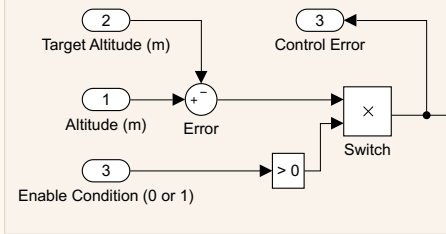
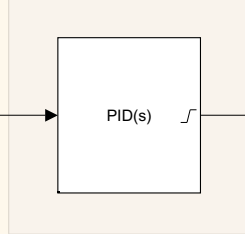


Altitude Control Algorithm

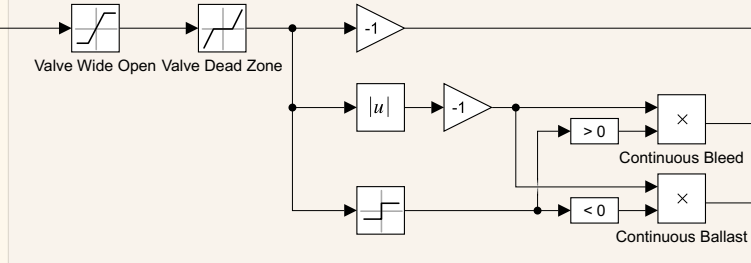
Controller Activation Criteria



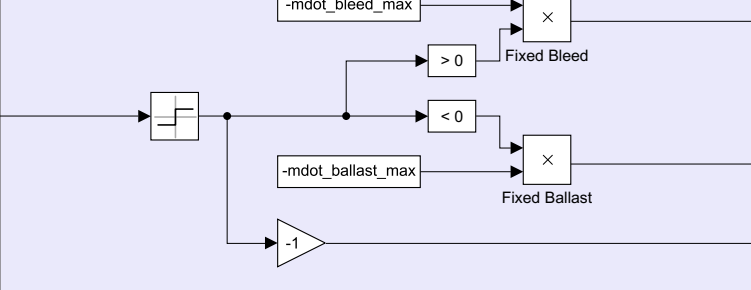
PID Controller



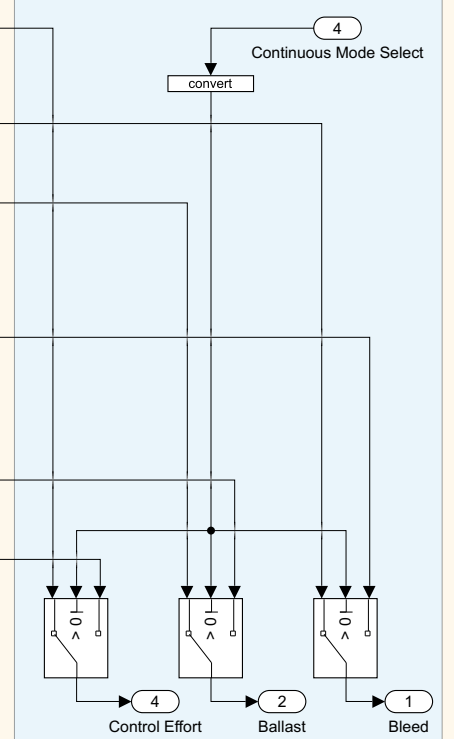
Continuous Control

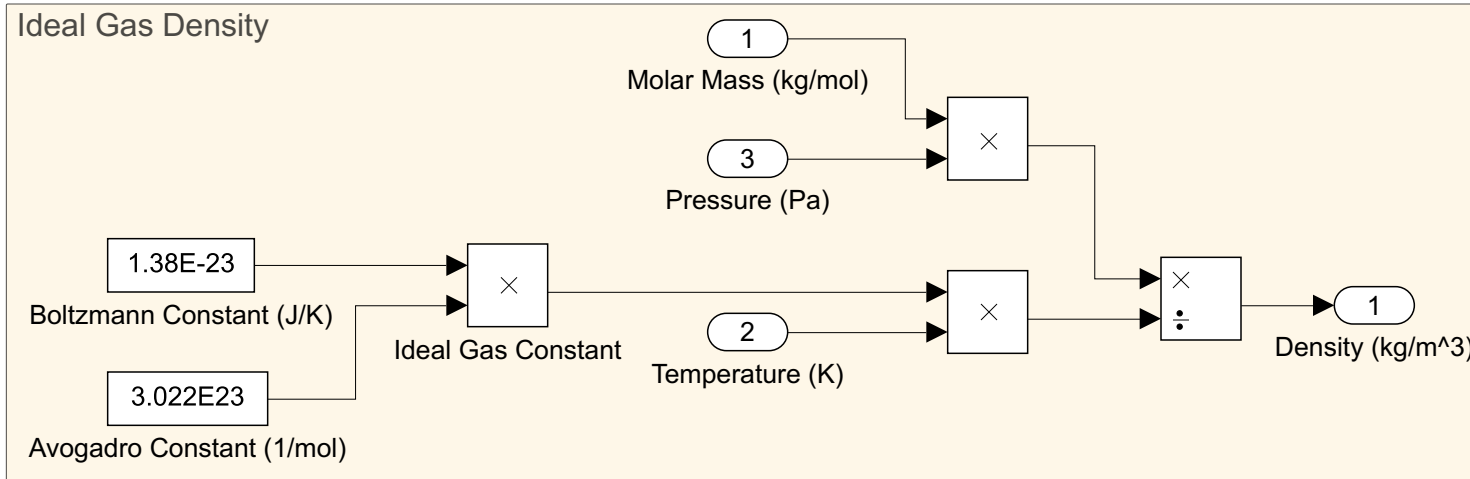


Fixed Mass Flow Control

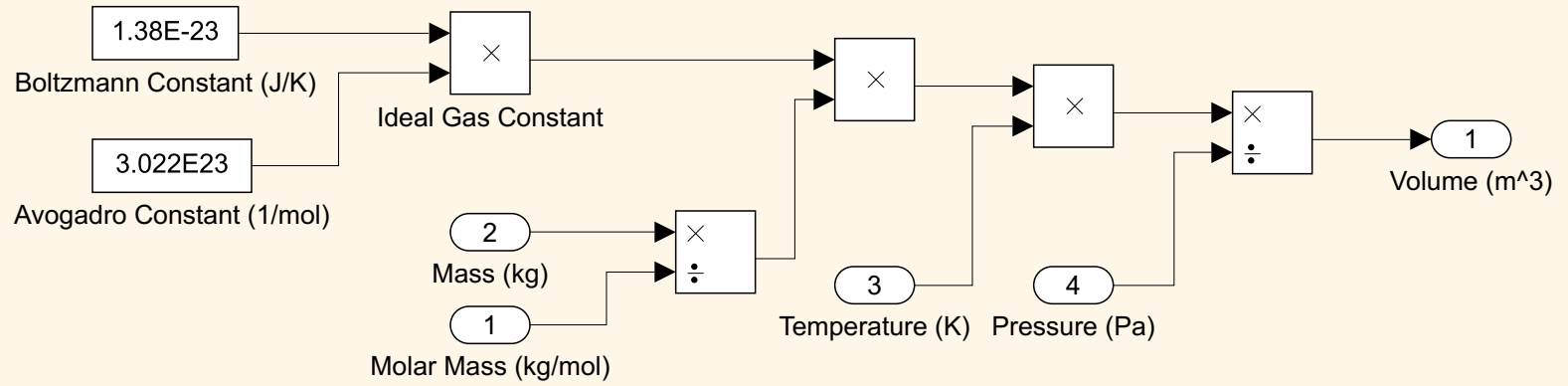


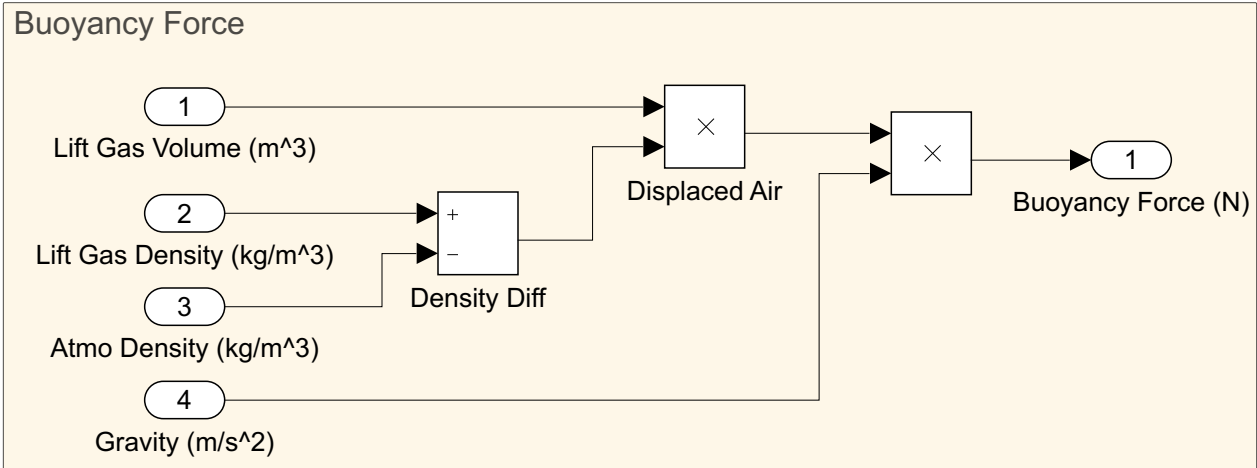
Continuous Mode vs Fixed Mode Switch

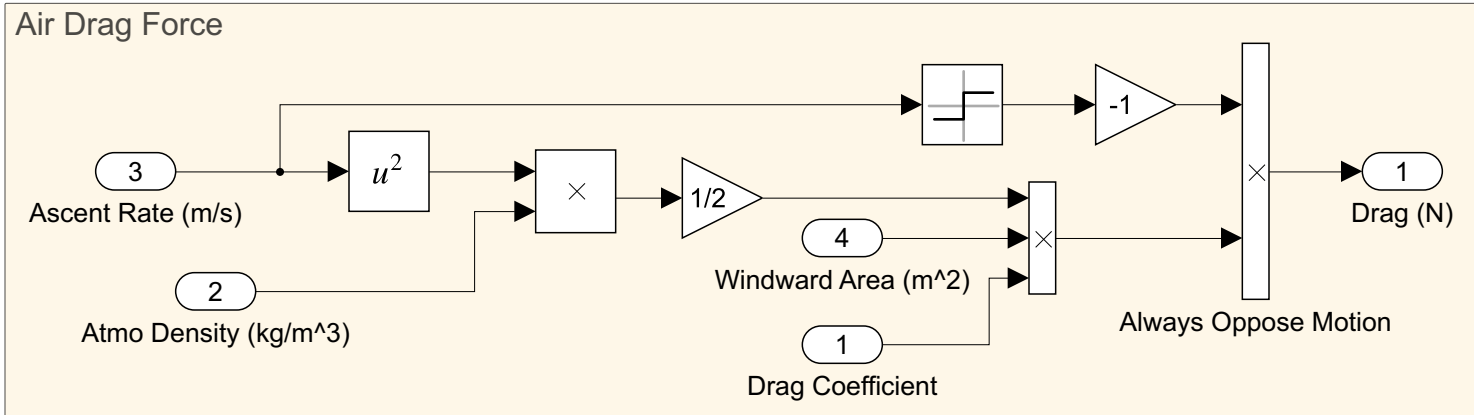


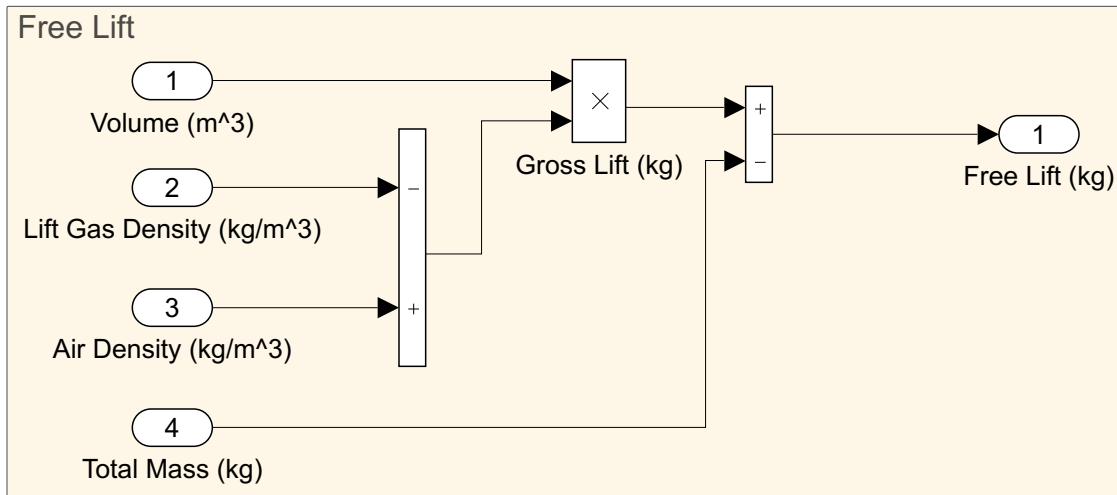


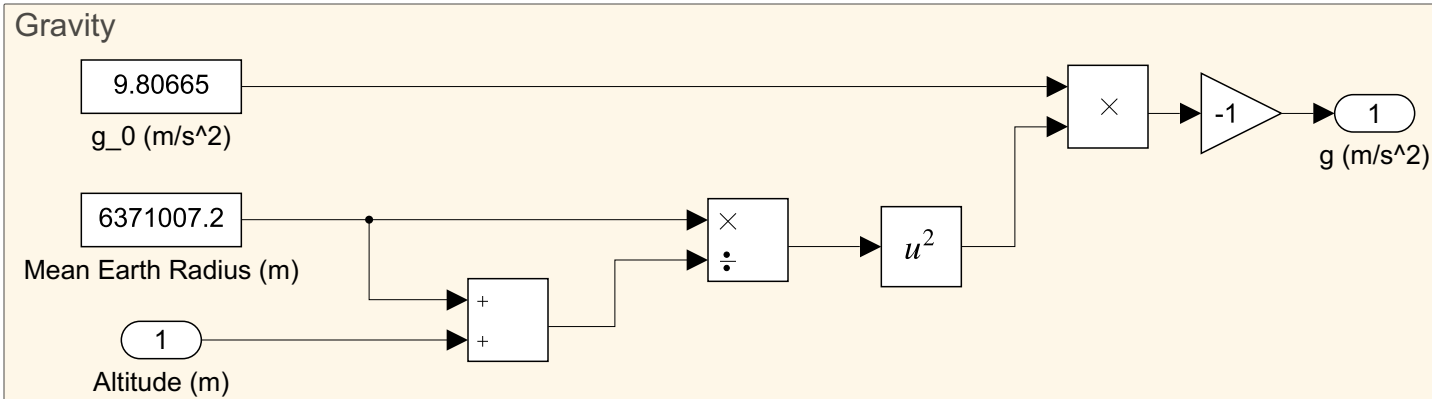
Ideal Gas Volume











Windward Area

